

## 1 POWER ON

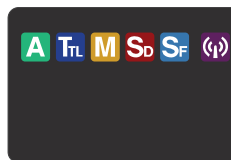
Press on/ off



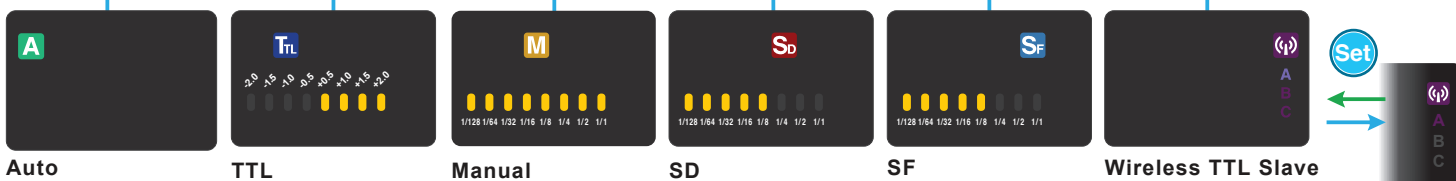
## 2 FUNCTION SET

Rotate the dial  to select function

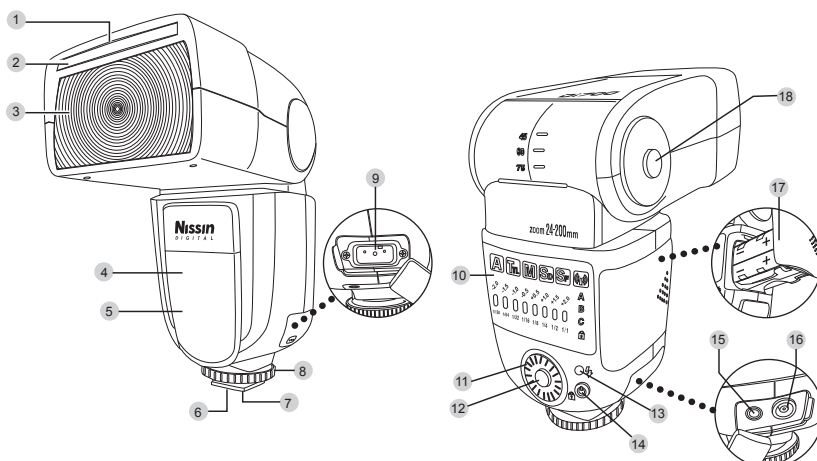
Press  to confirm



or wait 8 sec.  ↓ ↑ 



## Nomenclature



- |                         |  |
|-------------------------|--|
| 1 Fill-in reflector     | 10 Display screen                      |
| 2 Light diffusing panel | 11 Selector dial                       |
| 3 Flash head            | 12 Set button                          |
| 4 Remote/ Slave sensor  | 13 Pilot button (Test flash button)    |
| 5 AF-assist light       | 14 On/ Off switch (System lock button) |
| 6 Mounting foot         | 15 3.5mm sync socket                   |
| 7 Hotshoe contacts      | 16 X-terminal                          |
| 8 Lock ring             | 17 Battery magazine BM-02              |
| 9 Power Pack socket     | 18 Rotate lock                         |

## Turn on the flash unit

- Press the on/ off switch. Screen A appears, and the mode A is set.
- The pilot button blinks red showing the unit is charging.
- In a few seconds, the pilot button turns green.
- The display screen automatically turns off in about 2 minutes (in A/ TTL/ M mode) or about 5 minutes (in SD/ SF/ Wireless TTL Slave mode) after the setting job is terminated.
- For a test-flash, press the pilot button.
- To turn off the flash unit manually, press the on/ off switch and hold it for 1 seconds.